

## Chapter 1 questions in text

### Orthographic views

Two views not present in Figure 1-5 are **Right** and **Back** views. Since the **Bottom** view is similar to the **Top** view, it might be considered the least necessary of the four views in Figure 1-5.

### Exercise 1-2:

In Fig-01-25a.tif and Fig-01-26a.tif (both available on this CD-ROM), the nonplanar quad in the model is highlighted in red.



Fig-01-25a.tif

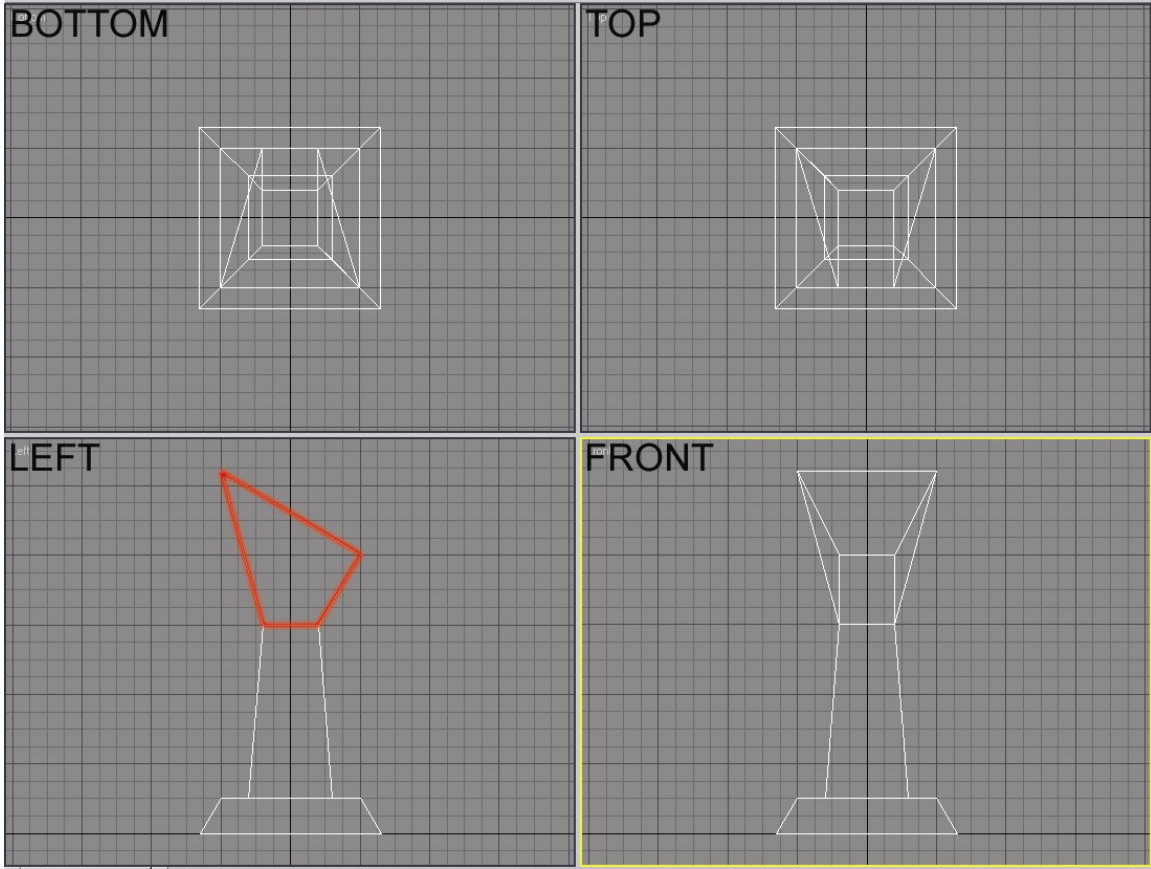


Fig-01-26a.tif